

Specifications

Engine

Model	Komatsu 3D67E-2
Type	Swirl chamber
Piston displacement	0.778 ltr
Engine power	
Net (ISO 9249/SAE J1349)	11.2 kW @ 2,600 rpm

Electrical system

Operating voltage	12V
Battery	41Ah
Alternator	40A
Starter	1.2 kW

Hydraulic system

Type	HydrauMind
Main pump	
Type	Variable displacement x 1 Gear x 1
Maximum oil flow	41.6 x 1 + 12.7 ltr/min
Hydraulic motor	
Travel	Variable displacement x 2
Swing	Fixed displacement x 1
Maximum pressure setting	235 kg/cm ²
Auxiliary flow	35 ltr/min

Performance

travel speed	
High	4.3 km/hr
Low	2.3 km/hr
Swing speed	8.9 rpm
Ground pressure	0.32 kg/cm ²
Maximum drawbar pull	1,700 kg
Gradeability	30°
Bucket digging force (ISO)	1,620 kg
Arm crowd force (ISO)	1,010 kg

Drives and brakes

Drive method	Hydrostatic
Type of travel brake	Hydraulic lock
Type of travel shoe	Rubber

Undercarriage

Adjustment of the track tension	Grease gun
Number of track rollers (each side)	3

Refill capacities

Fuel tank	19 ltr
Hydraulic tank	15.2 ltr
Engine	3.3 ltr
Coolant	3.1 ltr

Operating weight (approximate)

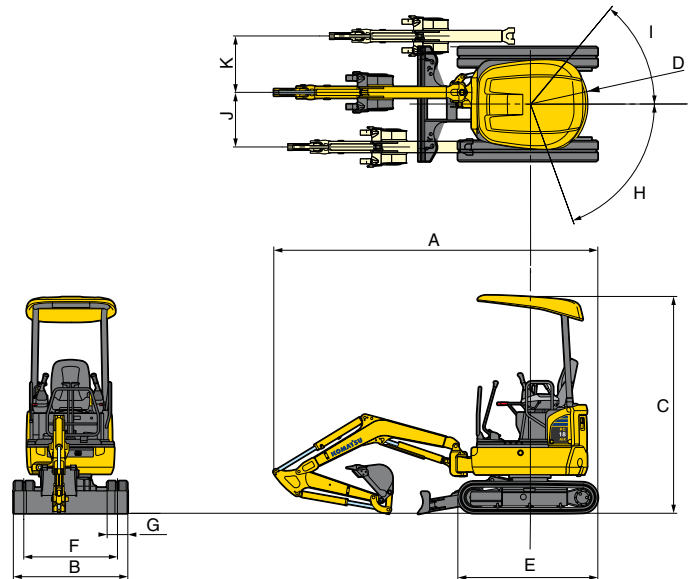
Operating weight (with ROPS canopy and rubber shoe)	1,855 kg
---	----------

Blade

Width (adjustable) x height	980 to 1,300 x 250 mm
-----------------------------	-----------------------

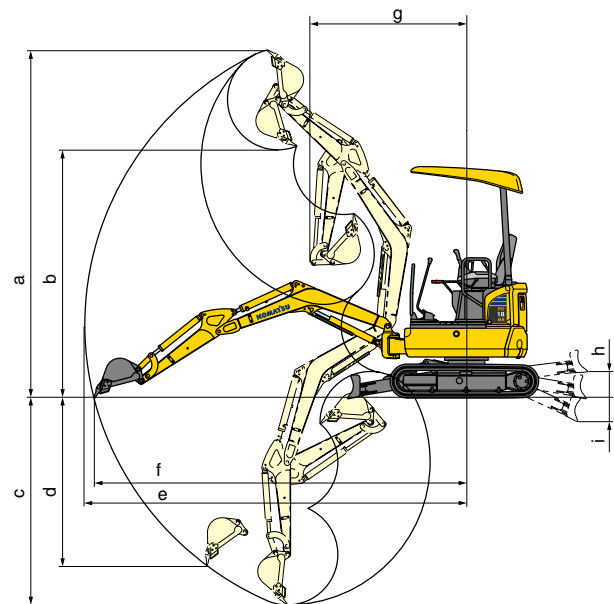
Machine dimensions

A	Overall length	3,650 mm
B	Overall width	980 - 1,300 mm
C	Overall height	2,410 mm
D	Tail swing radius	715 mm
E	Crawler length	1,555 mm
F	Track gauge	750 - 1,070 mm
G	Track shoe width	230 mm
H/I	Boom swing angle	Left 70°/Right 50°
J/K	Bucket offset	LH 465 mm/RH 785 mm



Working range

a	Maximum digging height	3,820 mm
b	Maximum dumping height	2,815 mm
c	Maximum digging depth	2,410 mm
d	Maximum vertical digging depth	2,000 mm
e	Maximum digging reach	4,270 mm
f	Maximum digging reach at ground level	4,190 mm
g	Minimum swing radius (when boom swing)	1,770 mm (1,435 mm)
h	Maximum blade lift	280 mm
i	Maximum blade depth	255 mm



Lifting capacity

Blade on ground (with additional counterweight (X-weight) for PC18MR-3 and PC20MR-3)

	Arm length 1,215 mm	2m		3m		Maximum		
		Front	Side	Front	Side	Front	Side	
PC18MR-3	965m	3m				*355	*355	
		2m			*310	235	*315	215
		1m	*650	420	*365	230	*320	180
		0	*805	395	*410	220	*335	185
		-1m	*635	400			*340	245
	280 mm	0m	*795	390	*400	215	*300	165

*Load is limited by hydraulic capacity rather than tipping. Rated loads do not exceed 87% of hydraulic capacity or 75% of tipping load.