

LGMG

H730

TELEHANDLER

7 m

WORKING HEIGHT

3000 kg

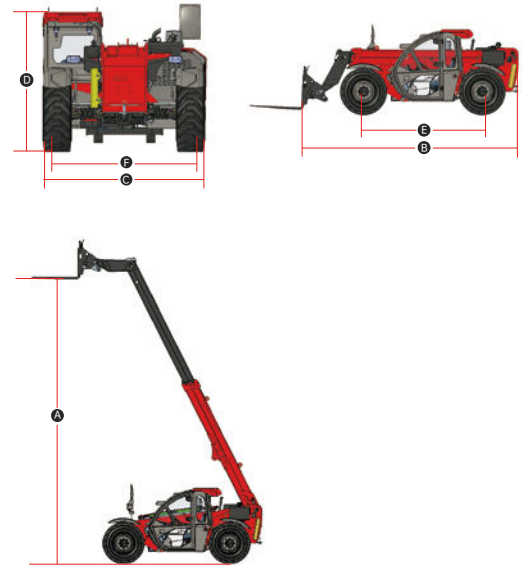
RATED LOAD



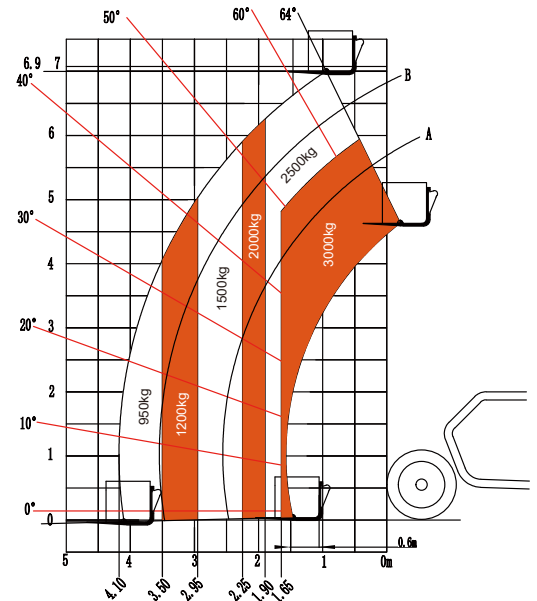
LGMG TELEHANDLER

SPECIFICATIONS

MODELS		H730	
Measurements		Metric	Imperial
Ⓐ Max. Lifting Height		6.9m	22'8"
Max. Outreach		4m	13'1"
Ⓑ Overall Length		5.01m	16'5"
Ⓒ Overall Width		2.3m	7'7"
Ⓓ Overall Height		1.99m	6'6"
Ⓔ Wheel base		2.76m	9'1"
Ⓕ Wheel Track		1.89m	6'2"
Ground Clearance		0.31m	1'
PRODUCTIVITY			
Max. Capacity		3,000kg	6,614 lbs
Gradeability-Unladen		45%	
Min. Turning Radius		4m	13'1"
Tilt Angle		±5°	
Drive /Steering Mode		4 Wheel Drive / 4 Wheel Steer	
Primary Boom Ascending Time		9.43s	
Primary Boom Descending Time		7.46s	
Boom Extending Time		7.45s	
Boom Retracting Time		9.4s	
Forward - First Gear Travel Speed		8km/h	5mph
Forward - Second Gear Travel Speed		24.9km/h	15.5mph
Backward - First Gear Travel Speed		8km/h	5mph
Backward - Second Gear Travel Speed		24.9km/h	15.5mph
Braking		Multiple-disk brake with oil bath on front and rear axles	
Standard Tyres		385/65 D22.5	
POWER			
Manufacturer		Kubota	
Rated Power		54.6kW	73.2hp
Max. Torque		261.1N.m	192.6 lb.ft
Displacement		3,331ml	203.3 cu.in
Fuel Tank Capacity		100L	26.4gal
Maximum traction force		43KN	
HYDRAULIC SYSTEM			
Working pump displacement		113 l/min	30 US gpm
Hydraulic Oil Capacity		100L	26.4gal
WEIGHT			
Machine Weight		6,900kg	15,212 lbs



Rough terrain load chart



Please contact LGMG or a local dealer for more details.

LGMG reserves the right to change technical data without prior notice. All photos and pictures in this brochure are for promotional purposes only.

LINGONG HEAVY MACHINERY CO., LTD.

Address: No. 2676, Kejia Road, Jinan, Shandong, China
 Email: sales@lgmg.com.cn Tel: +86 531 6787 9283

LGMG MACHINERY AUSTRALIA PTY LTD

Address: 27 Broadhurst Road, Ingleburn, NSW 2565
 Email: sales@lgmgau.com.au Tel: +61 499 685 544

www.lgmglifts.com



LGMG
 RELIABILITY IN ACTION