

ENGINE POWERED ARTICULATING BOOM LIFTS

AB18J (AB600J)

Compliant with CE/AS/EAC standards

PRODUCT HIGHLIGHTS

Precision Performance

- 3 joysticks with variable proportional control, accuracy in reaching the operation target

Intelligent Maintenance

- Industry leading 7" screen displays faults and status information, for easy reference, reducing service technician assistance. Workers can complete tasks under the remote guidance of qualified service technicians. Convenient for fleet managers to quickly access live machine and maintenance information

Reliable

- "Up right" with hydraulic leveling, the secondary boom extension and lift are hydraulic interlocked

Operating Efficiency

- The working platform can be lifted and lowered to any position without the need to operate the secondary boom



Standard Features

Oscillating function	7-in display screen	4WD(2WD) × 2WS
Proportional control with 3 joysticks	Automotive-grade sleeves for all pipes	4-wheel brake
Hydraulic platform leveling	160° Platform rotation	Weighing system
Tilt protection system	Max tilt rating to 5°	Battery Isolator
Flashing beacon	White Noise Alarm	Telematics-ready connector
Secondary guarding device	1.83 m (6') platform	Half mesh
Fault diagnosis system	Non-marking tires	

Options & Accessories

AC power to platform	Glazier kit (For platform with swinging gate)	
2.44 m (8') platform with swinging gate		
Platform work light		
1.45 m (4'9") platform		

SINOBOOM™

PARTNERS IN ACCESS™

SINOBOOM.AU | SALES@SINOBOOM.COM
32-34 Marni Street, Dandenong South, VIC Australia 3175

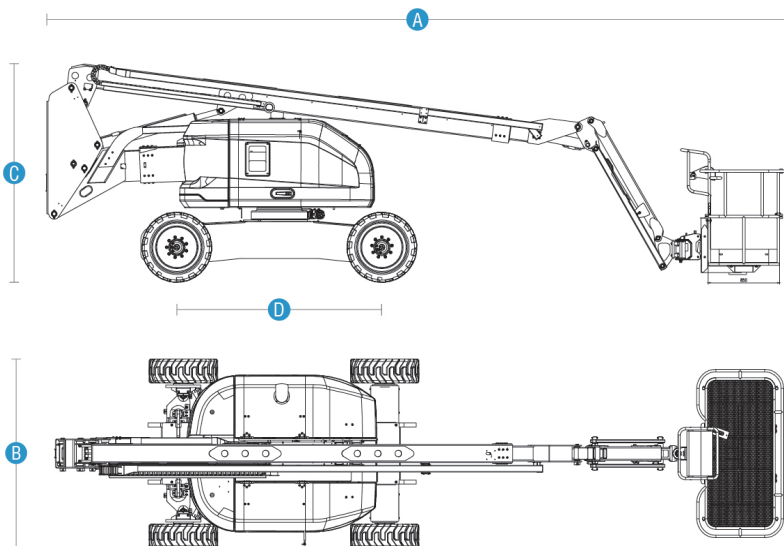
ENGINE POWERED ARTICULATING BOOM LIFTS

AB18J (AB600J)

Compliant with CE/AS/EAC standards

Model	AB18J (AB600J)
Dimensions	
Max Platform Height	18.3 m (60')
Max Working Height	20.3 m (66'7")
Max Horizontal Reach	12.2 m (40')
Max Up and Over Clearance	7.8 m (25'7")
A Stowed Length	8.6 m (28'3")
B Stowed Width	2.28 m (7'6")
C Stowed Height	2.56 m (8'5")
Stowed Length (Transport)	8.6 m (28')
Stowed Width (Transport)	2.28 m (7'6")
Stowed Height (Transport)	2.56 m (8'5")
D Wheelbase	2.44 m (8')
Ground Clearance	0.23 m (9.1")
Platform Size (L×W×H)	1.83×0.85×1.1 m (6'×2'9"×3'7")
Performance	
Max Platform Capacity	250 kg (551lbs)
Max Platform Occupants	2 Persons
Drive Speed (Stowed)	0~5 km/h (0~3.1 mph)
Drive Speed (Raised)	0~1.1 km/h (0~0.7 mph)
Gradeability	40%
Turntable Rotation	360°/Continuous
Platform Rotation	160°
Tilt Rating	5°
Turning Radius (Inside/Outside)	3.48 m/6.29 m (11'5"/20'8")
Turntable Tail-Swing	0.2 m (8")
Max Allowable Side Force	400 N (90 lbf)
Max Allowable Wind Speed	12.5 m/s (28 mph)
Tire Spec/Type	33×12D610 (Foam-filled)
Power	
Drive × Steer	4WD×2WS
Engine	43 kW/2500 rpm/ QSF2.8t3NA60 / Cummins/China T3, EU Stage 3A
Hydraulic Tank Capacity	120 L (26.4 gal(UK)/31.7 gal(US))
Diesel Tank Capacity	110 L (24.2 gal(UK)/29.1 gal(US))
System Voltage	12 VDC
Weight	
Weight	10,700 kg (23,589lbs)

Standards Compliance



CE/AS/EAC

